

CERTIFICATE OF APPROPRIATENESS

Applicant: William L. Pribyl, owner

Property: 1609 Columbia Street, Lot 11, Block 114, Houston Heights Neighborhood Subdivision. The property includes a non-contributing 3,541 square foot 2-story single-family residence with a detached garage situated on a 6,000 square foot interior lot.

Significance: Non-contributing single-family residence, constructed in 2005, located in the Houston Heights East historic district.

Proposal: Alteration: Applicant proposes to replace existing composition shingle roof on both the house and detached garage with a standing seam metal roof.

- Plans to install McElroy Medallion Lok 24 gauge 16” wide panels with striations to prepared decking with 12” clips on center.
- No changes to the shape or pitch of existing roof.

Public Comment: No public comment received.

Civic Association: No comment received.

Recommendation: Approval

HAHC Action: -

APPROVAL CRITERIA

ALTERATIONS TO NONCONTRIBUTING STRUCTURES

Sec. 33-241.1(b): Director shall issue a certificate of appropriateness for the alteration, rehabilitation, or restoration of a non-contributing structure or an addition to a **noncontributing structure in an historic district** upon finding that the application satisfies the following criteria, as applicable:

S D NA

S - satisfies D - does not satisfy NA - not applicable

(1) For an alteration, rehabilitation, or restoration that does not require the removal or replacement of the structural elements, not including the foundation, within 67 percent of the structure:

(a) The proposed activity must recognize the building, structure, object or site as a product of its own time and avoid alterations that seek to create an earlier or later appearance; and

(b) The proposed activity must match the architectural features, materials, and character of either the existing noncontributing structure or the contributing structures within the context area.

(2) For an alteration, rehabilitation, or restoration that requires the removal or replacement of the structural elements, not including the foundation, within 67 percent or more of the structure, the director shall refer the application to the HAHC, which shall approve a certificate of appropriateness if the result of the project conforms to the requirements for new construction in a historic district in section 33-242 of this Code.

District Map






Houston Heights East Historic District

Historic District Boundary



Building Classification

-  Contributing
-  Non-Contributing
-  Park

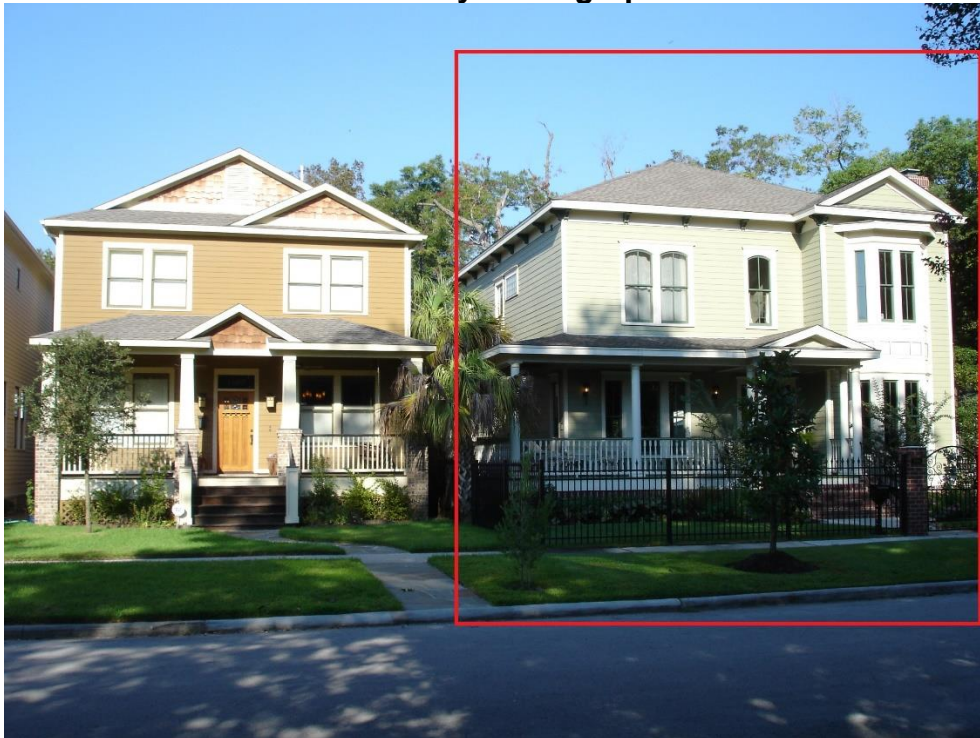
Established: February 20, 2008
 Source: GIS Services Division
 Date: May 1, 2013
 Reference: pj17025_Heights_East

This map is made available for reference purposes only and should not be substituted for a survey product. The City of Houston will not accept liability of any kind in conjunction with its use.



PLANNING & DEVELOPMENT DEPARTMENT

Inventory Photograph



Current Photograph



West side of Detached Garage



East Side of Detached Garage



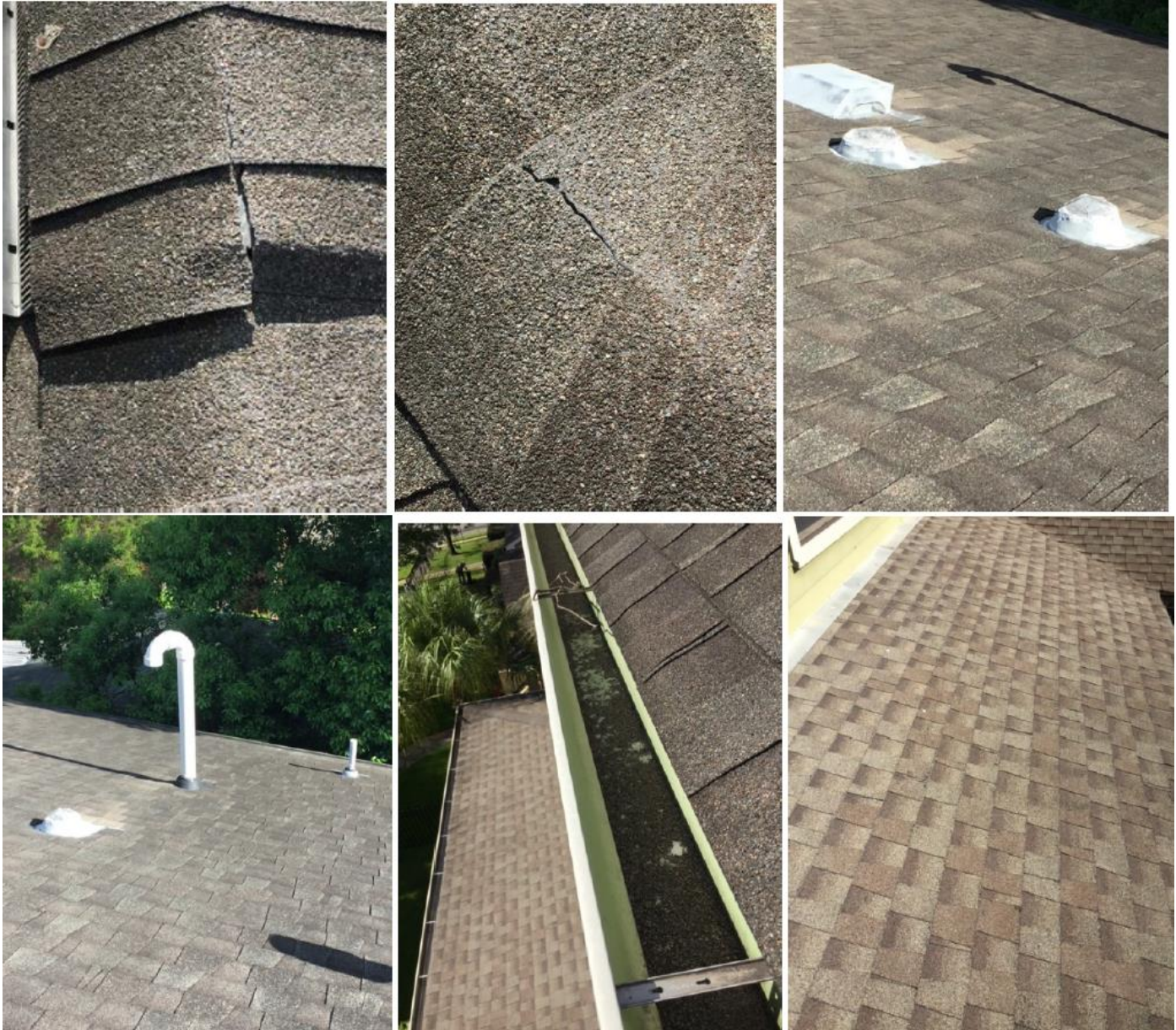
North side of Detached Garage



Photographs of Existing Condition of Roof



Photographs of Existing Condition of Roof



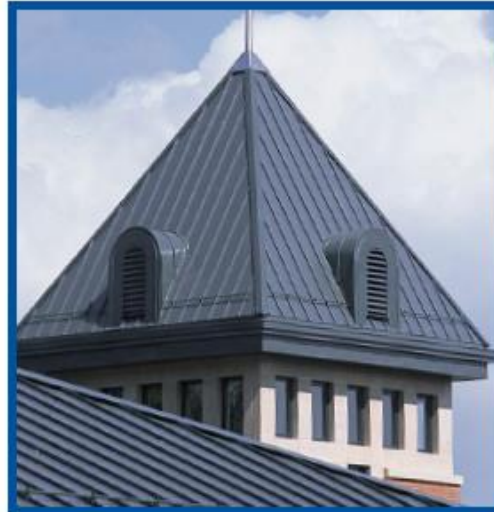
Medallion Roof Catalog

THE MEDALLION SERIES...



Medallion-Lok

McElroy's Medallion-Lok is a structural standing seam system that combines architectural styling with structural performance. Medallion-Lok's attractive profile and load-handling capabilities make it equally well-suited for commercial, industrial or residential roofing applications.



MEDALLION-LOK SECTION PROPERTIES

SECTION PROPERTIES										
Width	Ga	FY	Weight	TOP IN COMPRESSION			BOTTOM IN COMPRESSION			
				I _s	S _e	M _a	I _s	S _e	M _a	
12	24	50	1.42	.1079	.0740	2,2160	.0525	.0636	1,6620	
12	22	50	1.85	.1511	.1052	3,1490	.0759	.0967	2,2920	
16	24	50	1.3	.0860	.0561	1,6300	.0400	.0479	1,2480	
16	22	50	1.69	.1200	.0803	2,4050	.0570	.0729	1,7220	
18	24	50	1.27	.0770	.0501	1,4990	.0350	.0429	1,1100	
18	22	50	1.64	.1090	.0718	2,1490	.0510	.0649	1,5310	

NOTE:

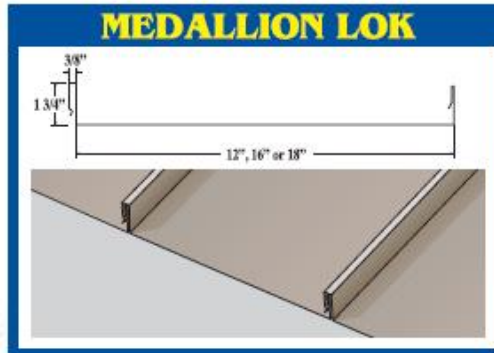
1. Section properties are calculated in accordance with 2004 **ANSI** North American Specifications for the Design of Cold-Formed Steel Structural Members.
2. **I_s** is for deflection determination.
3. **S_e** is for bending.
4. **M_a** is the allowable bending moment.
5. **All** values are for one foot of panel width.

MEDALLION-LOK LOAD TABLE

Width	Ga.	ALLOWABLE LOADS (PSF)*									
		LIVE LOAD					DEFLECTION (L/180)				
		3'	3.5'	4'	4.5'	5'	3'	3.5'	4'	4.5'	5'
12	24	120	88	68	54	43	349	219	147	103	75
12	22	166	123	94	74	60	489	308	206	144	105
16	24	90	66	51	40	32	278	175	117	82	60
16	22	125	92	71	56	45	388	244	163	115	83
18	24	80	59	45	36	29	249	156	105	73	53
18	22	111	82	63	50	40	352	222	148	104	76

NOTE:

1. Allowable uniform loads are based upon equal span lengths.
2. Positive Wind is wind pressure and is NOT increased by 33 1/3%.
3. Live is the allowable live or snow load.
4. Deflection (L/180) is the allowable load that limits the panel's deflection to L/180 while under positive or live load.
5. The weight of the panel has NOT been deducted from the allowable loads.
6. Positive wind and live load values are limited to combined shear and bending using Eq. C3.3.1-1 of the **ANSI** Specification.
7. Positive Wind and Live Load values are limited by web crippling using a bearing length of 2".
8. Web crippling values are determined using a ratio of the uniform load actually supported by the top flanges of the section.



PANEL OPTIONS

- Panel Width: 12", 16" & 18"
- Seam Height: 1 3/4"
- Pan Configurations: Striated, Ribbed, Flat Pan
- Substrate: Galvalume
- Gauge: Standard 24 gauge Galvalume, Optional 22 gauge Galvalume, and .032 and .040 Aluminum

DETAILS

- Factory applied sealant in seam
- Coating: Kynar 500®
- 3:12 Minimum Slope
- Can be installed over open framing or solid deck

TESTING DATA

- Class A - Fire Rating
- UL580 Class 90 - Uplift Test
- ASTM 1592 - Uplift Test
- ASTM E1680 - Air Infiltration
- ASTM E1646 - Water Infiltration
- UL 2218 - Class 4 Impact Resistance
- Florida State Approved
- Miami Dade Approval (NOA#08-0225,03)

* Oil canning is a natural occurrence in metal panels and is not a cause for panel rejection.

Medallion Roof Catalog

BEAUTY & FUNCTIONALITY...



Medallion I and II

The striking profile of McElroy's Medallion I and II Architectural Roof Systems bring out the best in any building project. The distinctive appearance of the Medallion I and II Systems make them ideal for roofing, as well as a variety of mansard or fascia applications. Medallion I and II Systems are designed for quick installation over decking, utilizing metal clips.

DETAILS

- Must be installed over solid decking
- Two styles available:
 - Medallion I: narrow batten cap
 - Medallion II: wide batten cap
- Coating: Kynar 500®
- 3:12 Minimum Slope

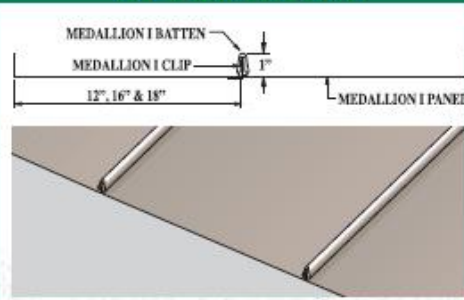
PANEL OPTIONS

- Panel Width:
 - 12", 16" & 18"
- Panel Configurations:
 - Striated, Ribbed or Flat Pan
- Substrate:
 - Galvalume
- Gauge:
 - Standard 24 gauge Galvalume

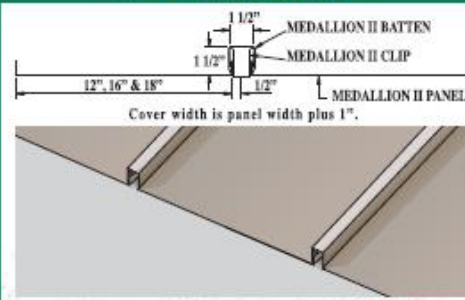
TESTING DATA

- Class A - Fire Rating
- UL580 Class 90 - Uplift Test
- ASTM E1680 - Air Infiltration
- ASTM E1646 - Water Infiltration
- UL 2218 - Class 4 Impact Resistance
- Florida State Approved

MEDALLION I



MEDALLION II



* Oil canning is a natural occurrence in metal panels and is not a cause for panel rejection.