

CERTIFICATE OF APPROPRIATENESS

Applicant: Gamaliel Alvarez, agent for Alejandro Carrillo, owner

Property: 908 W Temple Street, Lot 17, Block 212, East Norhill Neighborhood Subdivision. The property includes a historic 1,046 square foot, one-story wood frame single-family residence and a detached garage situated on a 5,200 square foot (50' x 104') interior lot.

Significance: Contributing English Bungalow style residence, constructed circa 1925, located in the Norhill Historic District.

Proposal: Alteration: Convert Existing Garage into a Carport

- Remove front garage door and side walls leaving 6' x 16' 2" footprint remaining at rear to be converted into storage area.
- Remaining footprint will be an open carport measuring 13'8" x 15'2"
- Roof pitch remains unchanged at 7:12
- Roof material remains unchanged as composition shingles

Public Comment: No public comment received.

Civic Association: Norhill supports and approves this application.

<p>Recommendation: Approval</p> <p>HAHC Action: -</p>

APPROVAL CRITERIA

ALTERATIONS, REHABILITATIONS, RESTORATIONS AND ADDITIONS

Sec. 33-241: HAHC shall issue a certificate of appropriateness for the alteration, rehabilitation, restoration or addition of an exterior feature of (i) any landmark, (ii) protected landmark, (iii) any building, structure or object that is part of an archaeological site, or (iv) contributing building in a historic district upon finding that the application satisfies the following criteria, as applicable:

- | S | D | NA | S - satisfies | D - does not satisfy | NA - not applicable |
|-------------------------------------|--------------------------|-------------------------------------|----------------------|---|----------------------------|
| <input checked="" type="checkbox"/> | <input type="checkbox"/> | <input type="checkbox"/> | (1) | The proposed activity must retain and preserve the historical character of the property; | |
| <input checked="" type="checkbox"/> | <input type="checkbox"/> | <input type="checkbox"/> | (2) | The proposed activity must contribute to the continued availability of the property for a contemporary use; | |
| <input checked="" type="checkbox"/> | <input type="checkbox"/> | <input type="checkbox"/> | (3) | The proposed activity must recognize the building, structure, object or site as a product of its own time and avoid alterations that seek to create an earlier or later appearance; | |
| <input checked="" type="checkbox"/> | <input type="checkbox"/> | <input type="checkbox"/> | (4) | The proposed activity must preserve the distinguishing qualities or character of the building, structure, object or site and its environment; | |
| <input checked="" type="checkbox"/> | <input type="checkbox"/> | <input type="checkbox"/> | (5) | The proposed activity must maintain or replicate distinctive stylistic exterior features or examples of skilled craftsmanship that characterize the building, structure, object or site; | |
| <input checked="" type="checkbox"/> | <input type="checkbox"/> | <input type="checkbox"/> | (6) | New materials to be used for any exterior feature excluding what is visible from public alleys must be visually compatible with, but not necessarily the same as, the materials being replaced in form, design, texture, dimension and scale; | |
| <input type="checkbox"/> | <input type="checkbox"/> | <input checked="" type="checkbox"/> | (7) | The proposed replacement of exterior features, if any, should be based on an accurate duplication of features, substantiated by available historical, physical or pictorial evidence, where that evidence is available, rather than on conjectural designs or the availability of different architectural elements from other structures; | |
| <input checked="" type="checkbox"/> | <input type="checkbox"/> | <input type="checkbox"/> | (8) | Proposed additions or alterations must be done in a manner that, if removed in the future, would leave unimpaired the essential form and integrity of the building, structure, object or site; | |
| <input checked="" type="checkbox"/> | <input type="checkbox"/> | <input type="checkbox"/> | (9) | The proposed design for any exterior alterations or addition must not destroy significant historical, architectural, archaeological or cultural material, including but not limited to siding, windows, doors and porch elements; | |
| <input checked="" type="checkbox"/> | <input type="checkbox"/> | <input type="checkbox"/> | (10) | The proposed alteration or addition must be compatible with the massing, size, scale material and character of the property and the context area; and | |
| <input checked="" type="checkbox"/> | <input type="checkbox"/> | <input type="checkbox"/> | (11) | The distance from the property line to the front and side walls, porches, and exterior features of any proposed addition or alteration must be compatible with the distance to the property line of similar elements of existing contributing structures in the context area. | |

District Map



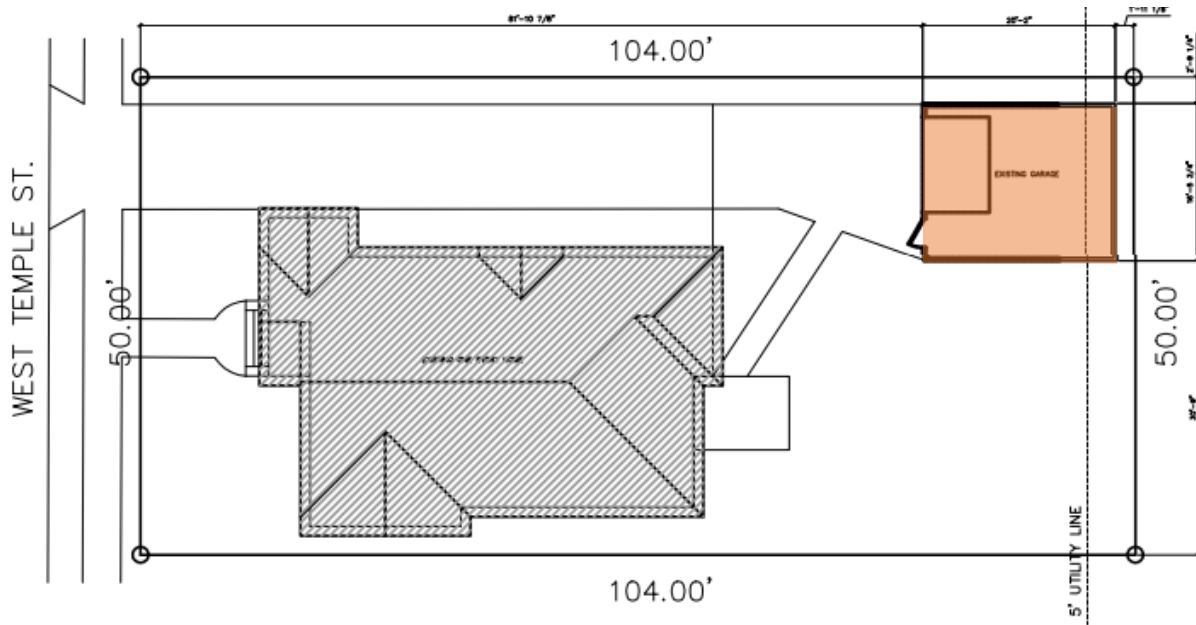
Inventory Photo



Current Photos



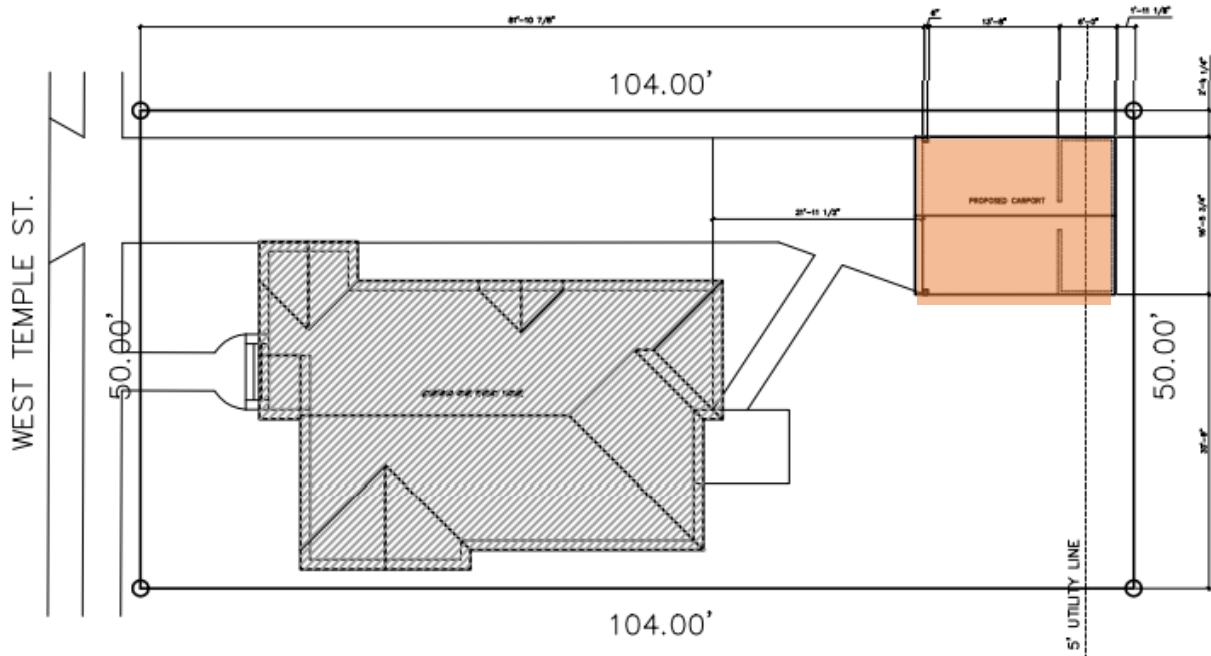
Existing Site Plan

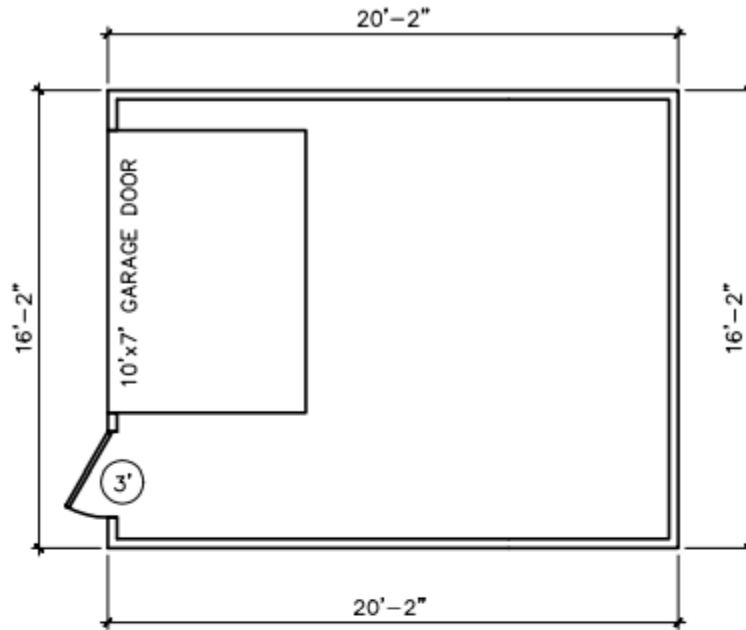


EXISTING/ DEMO SITE PLAN



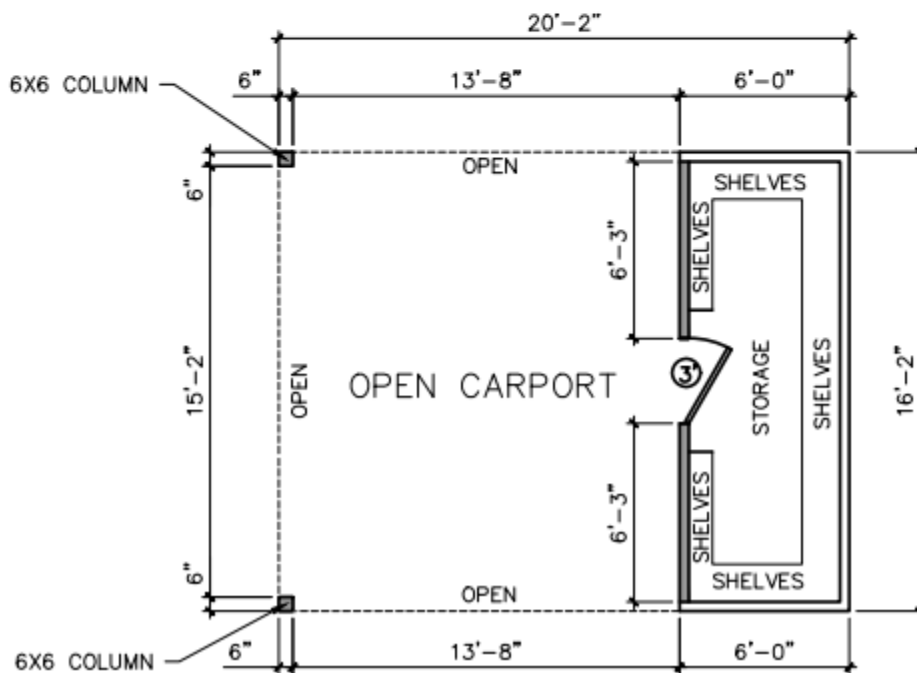
Proposed Site Plan

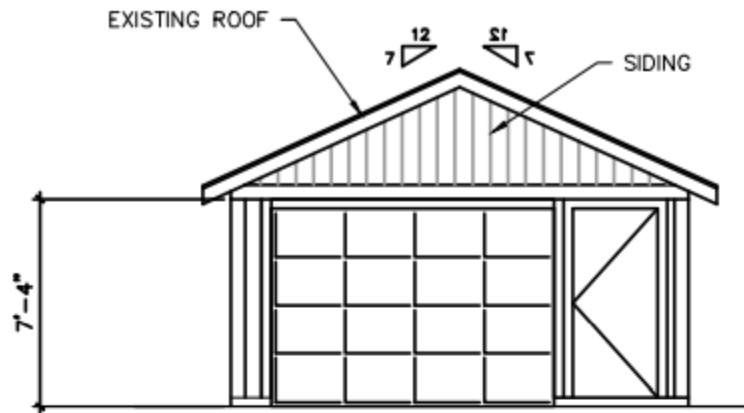




EXISTING GARAGE FLOOR PLAN
SCALE: 1/4"=1'-0"

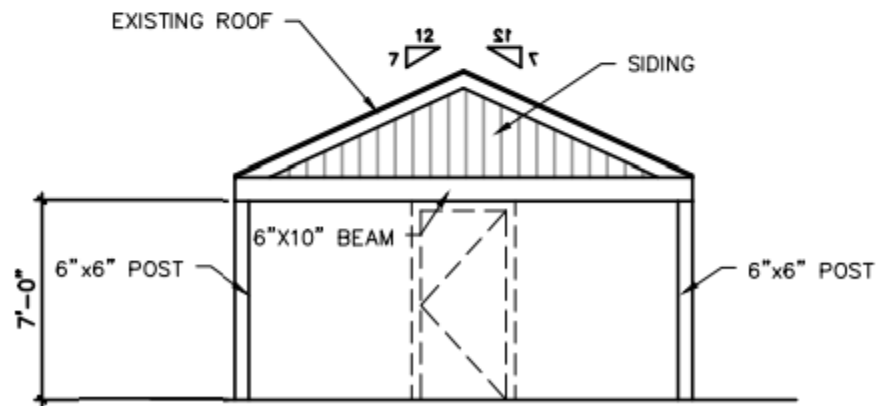
Proposed First Floor Garage Plan





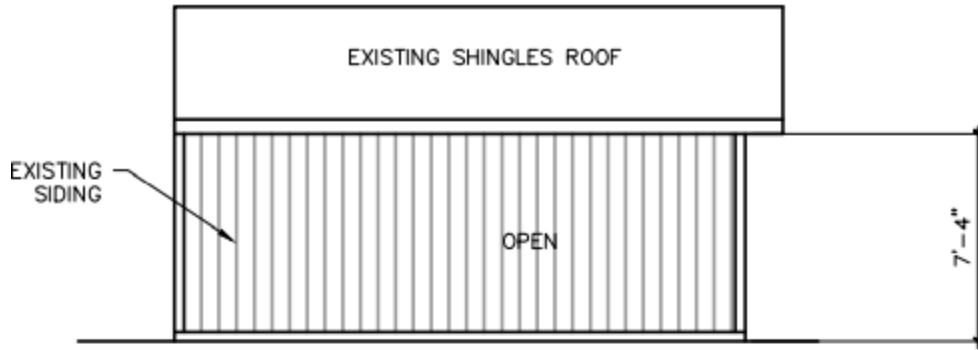
EXISTING FRONT ELEVATION

SCALE: 1/4"=1'-0"



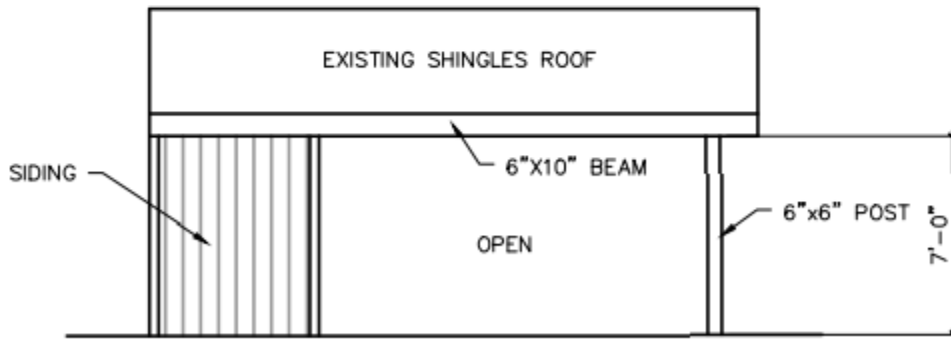
PROPOSED FRONT ELEVATION

SCALE: 1/4"=1'-0"



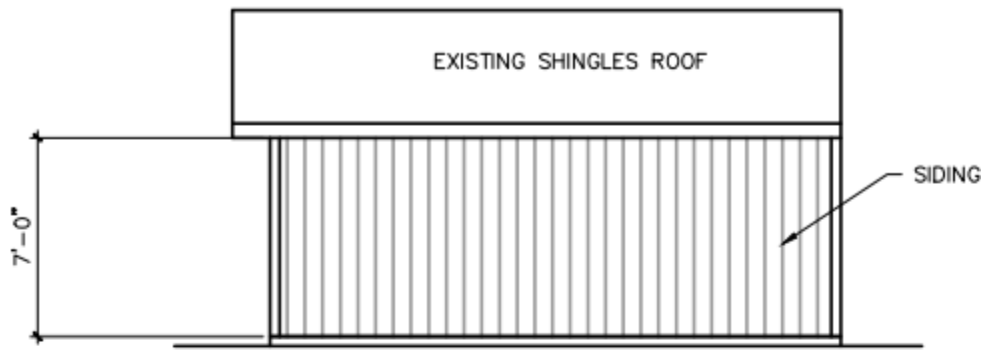
EXISTING LEFT ELEVATION

SCALE: 1/4"=1'-0"



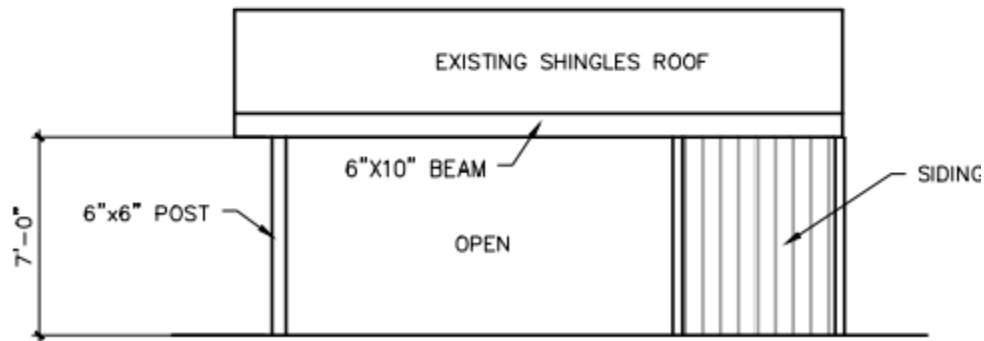
PROPOSED LEFT ELEVATION

SCALE: 1/4"=1'-0"



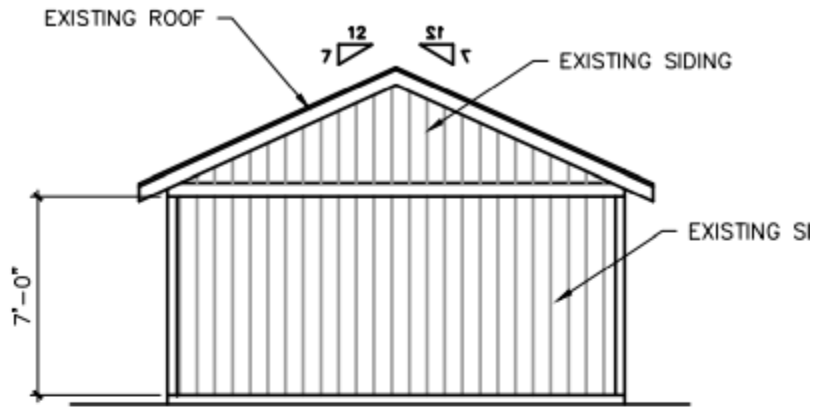
EXISTING RIGHT ELEVATION

SCALE: 1/4"=1'-0"



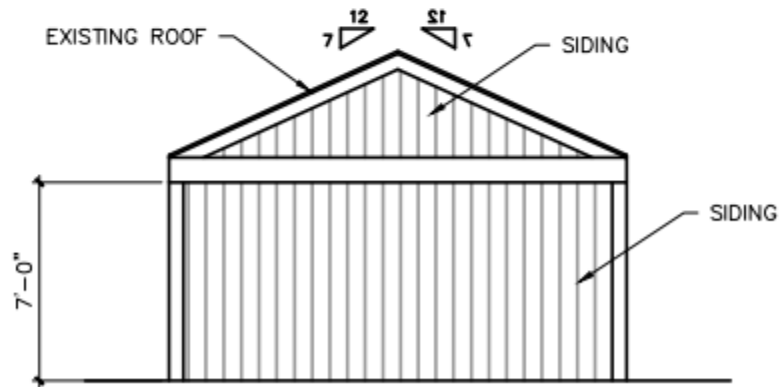
PROPOSED RIGHT ELEVATION

SCALE: 1/4"=1'-0"



EXISTING REAR ELEVATION

SCALE: 1/4"=1'-0"



PROPOSED REAR ELEVATION

SCALE: 1/4"=1'-0"